



POWDER
COATS



DISPLAY SHELF KIT

CURDSP

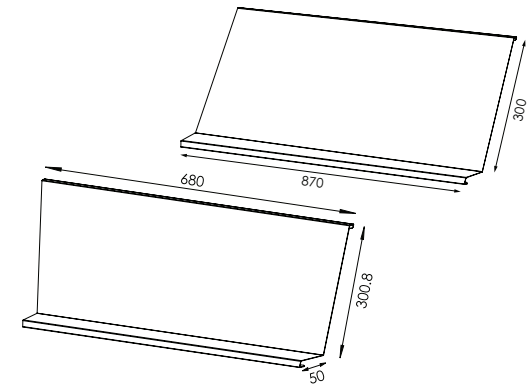
Kit includes (1) Convex & (1) Concave powder coated steel display shelf.
* Pins included (8 pins)



3-4 - Book capacity



0.6 - Lineal metres



FLAT SHELF KIT

CURFLT

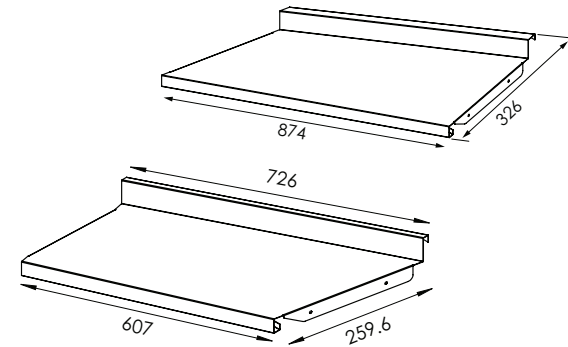
Kit includes (1) Convex & (1) Concave powder coated steel flat shelf.
* Pins included (8 pins)



25 - Book capacity



0.6 - Lineal metres



BOTTOM SHELF OVERLAY NO LIP

CUROVL

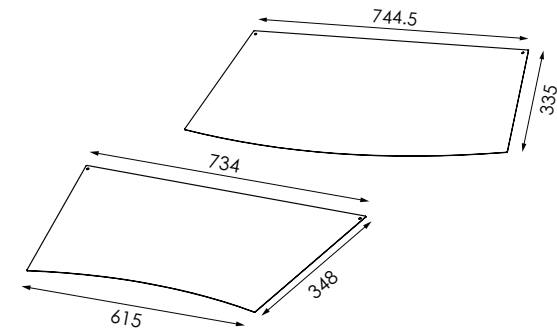
Slides onto the bottom shelf of Expressions bays to enhance presentation.
Kit includes (1) Convex & (1) Concave powder coated steel overlay.



3-4 - Book capacity



0.6 - Lineal metres



* Book capacities are approximate only and vary depending on collection