

UNIVERSAL DISPLAY SHELF

940 - WITH STRAIGHT 50MM LIP

Face out display of popular, new and topical items helps increase circulation. Clips directly to posts.

980 - WITH 32.5MM TURNED UP LIP

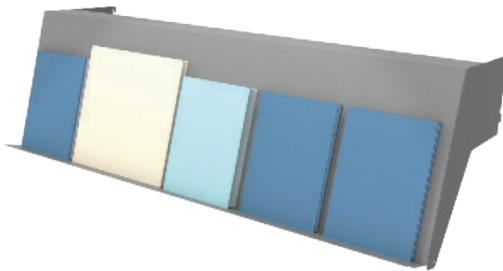
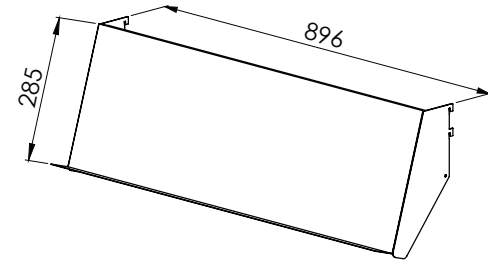
Option for magazines or thin book display.



5-6 - Book capacity*



0.9 - Lineal metres



EXTENDED DISPLAY SHELF

940EXT

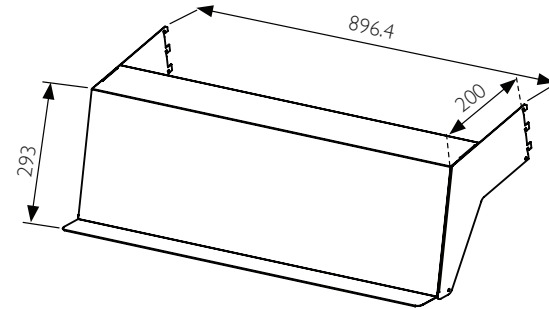
Ideal for bottom display shelves to bring collection forward from shadows cast by shelves above. Clips directly to post.



5-6 - Book capacity*



0.9 - Lineal metres



SLIM DISPLAY SHELF - WITH 40mm LIP

804

Designed for smaller books and DVD display.



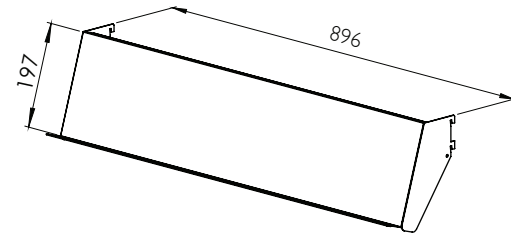
5-6 - Book capacity*



6 DVDs - Standard size



0.9 - Lineal metres



*Book capacities are approximate only and vary depending on collection